

# Noise-Lock® Windows

Architectural High-Performance  
Acoustic Windows



- Certified performance
- Steel construction
- Standard and custom sizes
- Fully factory assembled
- Fire, bullet and angled pane options available
- Over 60 years experience



# Noise-Lock®

## High-performance acoustic windows to suit a wide range of applications

IAC Acoustics is a leading supplier of high-performance steel acoustic windows with over sixty years of experience in solving issues relating to noise isolation and containment. IAC Acoustics offers a wide range of standard models, plus the ability to custom design and manufacture windows to suit specific applications.

Thousands of Noise-Lock® acoustic windows have been installed in industrial and commercial buildings throughout the world. Typical applications include hospitals, hotels, schools, offices, broadcasting studios, nightclubs, museums, test cells, laboratories, plant rooms, and power stations — in fact virtually any situation where sound must be contained within or excluded while still maintaining visibility.

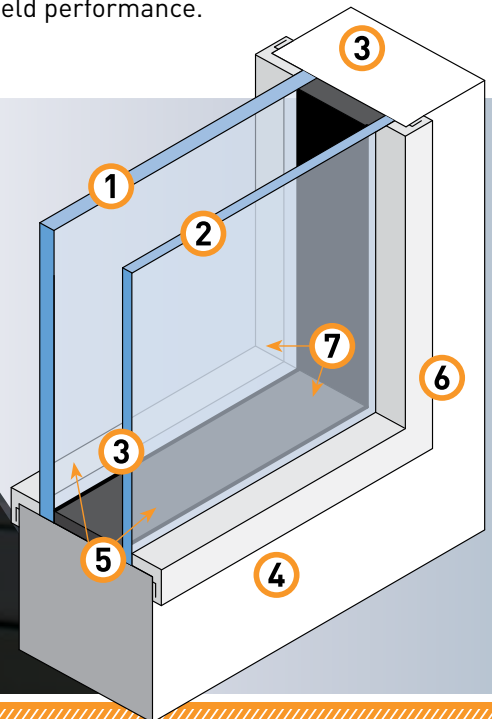
### Engineered Advantages

IAC Acoustics produces an engineered system — custom-designed in-house to suit the required opening of any given project. Utilizing precision sheet steel cutting and state-of-the-art fabrication, all Noise-Lock® windows are simple to assemble on site by our network of highly experienced installation crews.

Noise-Lock® windows are laboratory-tested for performance in both IAC Acoustics' own R&D facilities and independent laboratories, further supported by installed site testing and engineering calculations for custom specifications. IAC Acoustics is renowned for quality, durability and guarantees in-field performance.

### Design Features

- 1 1<sup>st</sup> pane laminated safety glass
- 2 2<sup>nd</sup> pane laminated safety glass
- 3 Acoustic foam
- 4 Host wall
- 5 Neoprene acoustic seal
- 6 Painted steel capping frame
- 7 Acoustic foam retainer



## Performance and Flexibility

IAC Acoustics offers a comprehensive range of products designed for architectural, industrial and security applications. IAC Acoustics' Noise-Lock® windows feature:

- Performance ratings from STC-46 / Rw47 to STC-68 / Rw70
- Design flexibility with all windows available in standard and custom sizes or designs
- Supported with laboratory test data
- High-performance windows for both architectural and industrial applications
- UL fire ratings available
- Bullet resistant glass options available
- Industry leading fabrication times and quick-ship programs



## Design Features

IAC Acoustics Noise-Lock® windows are available with a number of standard and custom design options. Please consult IAC Acoustics for availability of both standard and custom features such as angled panes and bullet resistant glass in various specifications. All IAC Acoustics Noise-Lock® windows are built to order and site assembled using laminated safety glass as standard.

## Acoustic Performance

Window Model	Acoustic Rating				Minimum Wall Thickness	Octave Band Center Frequency, Hz							
						63	125	250	500	1k	2k	4k	8k
	STC	NIC	RW	R'w		Sound Transmission Loss, dB							
Noise-Lock® STC 46	46	44	47	45	4" / 103mm	20	28	34	44	52	54	63	-
Noise-Lock® STC 50	50	48	50	48	6" / 153mm	18	32	38	48	55	56	62	-
Noise-Lock® STC 54	54	52	53	51	8" / 210mm	20	33	40	51	59	61	69	-
Noise-Lock® STC 55	55	53	55	53	12" / 310mm	22	34	42	53	61	64	73	-
Super Noise-Lock® STC 58	58	56	58	56	10" / 251mm	24	36	45	55	64	68	78	-
Super Noise-Lock® STC 60	60	58	60	58	14" / 351mm	26	38	47	57	66	70	80	-
Super Noise-Lock® STC 63	63	61	63	61	14" / 361mm	29	41	50	60	69	73	83	-
Super Noise-Lock® STC 65	65	63	65	63	16" / 415mm	31	43	52	62	71	75	85	-
Super Noise-Lock® STC 68	68	66	70	68	21" / 525mm	39	51	61	66	71	77	88	-

## Complementary Products

In addition to windows, IAC Acoustics offers a range of other components that integrate seamlessly to form larger and more complex noise control systems. These products include Moduline™, IAC Acoustics' modular acoustic construction panel system, Noise-Lock® acoustic doors, TrackWall™, a moveable partition system and VisionWall™, a range of large-sized acoustic exterior windows.



**USA - North Aurora, IL**

**T: +1 (630) 270 1790**

**F: +1 (630) 966 9710**

**E: [iacacoustics@soundseal.com](mailto:iacacoustics@soundseal.com)**



[www.iacacoustics.com](http://www.iacacoustics.com)