

Noise-Lock® Windows

Architectural High-Performance
Acoustic Windows



- Certified performance
- Steel construction
- Standard and custom sizes
- In-house design, manufacture and installation
- Fire, bullet and angled plane options available
- Over 60 years experience



Noise-Lock®

High performance acoustic windows to suit a wide range of applications

IAC Acoustics is a global supplier of high-performance steel acoustic windows with over sixty years of experience in solving issues relating to noise isolation and containment. IAC offers a wide range of standard models, plus the ability to custom design and manufacture windows to suit specific applications.

Thousands of Noise-Lock® acoustic windows have been installed in industrial and commercial buildings throughout the world. Typical applications include hospitals, hotels, schools, offices, broadcasting studios, nightclubs, museums, test cells, laboratories, plant rooms, and power stations — in fact virtually any situation where sound must be contained within or excluded while still maintaining visibility.

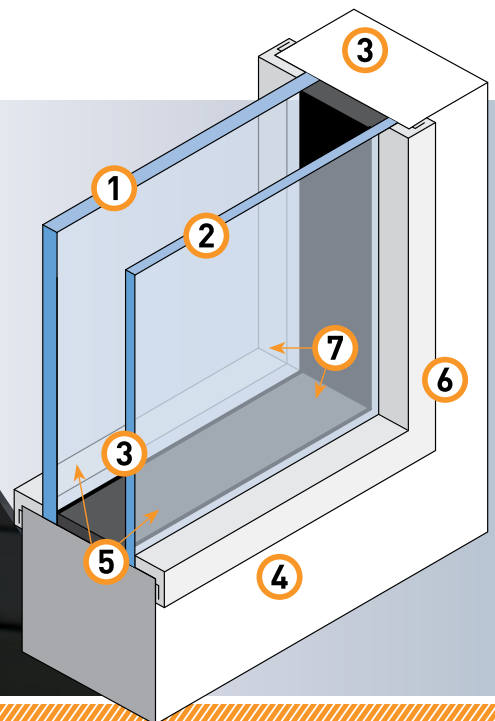
Engineered Advantages

IAC Acoustics produces an engineered system — custom-designed in-house to suit the required opening of any given project. Utilizing precision laser cutting and state-of-the-art fabrication, all Noise-Lock® windows are simple to assemble on site by our network of highly experienced installation crews.

Noise-Lock® windows are laboratory-tested for performance in both IAC's own R&D facilities and independent laboratories, further supported by installed site testing and engineering calculations for custom specifications. IAC Acoustics is renowned for quality, durability and guarantees in-field performance.

Design Features

- 1 1st pane laminated safety glass
- 2 2nd pane laminated safety glass
- 3 Acoustic foam
- 4 Host wall
- 5 Neoprene acoustic seal
- 6 Painted steel capping frame
- 7 Acoustic foam retainer



Performance and Flexibility

IAC Acoustics offers a comprehensive range of products designed for architectural, industrial and security applications. IAC Acoustics' Noise-Lock® windows feature:

- Performance ratings from STC-46/Rw47 to STC-68/Rw70
- Design flexibility with all windows available in standard and custom sizes or designs
- Supported with laboratory test data
- High-performance windows for both architectural and industrial applications
- UL, BS and EN fire ratings available
- Bullet resistant glass options available
- Industry leading fabrication times and quick-ship programs



Design Features

IAC Acoustics Noise-Lock® windows are available with a number of standard and custom design options. Please consult IAC Acoustics for availability of both standard and custom features such as angled panes, bullet resistant glass and EN 1634-1 (EI) fire rated frames in various specifications. All IAC Acoustics Noise-Lock® windows are built to order and site assembled using laminated safety glass as standard.

Acoustic Performance

Window Model	Acoustic Rating				Minimum Wall Thickness	Octave Band Center Frequency, Hz							
						63	125	250	500	1k	2k	4k	8k
	Rw	R'w	STC	NIC		Sound Transmission Loss, dB							
Noise-Lock® W-47	47	45	46	44	103mm / 4"	20	28	34	44	52	54	63	-
Noise-Lock® W-50	50	48	50	48	153mm / 6"	18	32	38	48	55	56	62	-
Noise-Lock® W-53	53	51	54	52	210mm / 8"	20	33	40	51	59	61	69	-
Noise-Lock® W-55	55	53	55	53	310mm / 12"	22	34	42	53	61	64	73	-
Super Noise-Lock® W-58	58	56	58	56	251mm / 10"	24	36	45	55	64	68	78	-
Super Noise-Lock® W-60	60	58	60	58	351mm / 14"	26	38	47	57	66	70	80	-
Super Noise-Lock® W-63	63	61	63	61	361mm / 14"	29	41	50	60	69	73	83	-
Super Noise-Lock® W-65	65	63	65	63	415mm / 16"	31	43	52	62	71	75	85	-
Super Noise-Lock® W-70	70	68	68	66	525mm / 21"	39	51	61	66	71	77	88	-

Complementary Products

In addition to windows, IAC Acoustics offers a range of other components that integrate seamlessly to form larger and more complex noise control systems. These products include Moduline™, IAC's modular acoustic construction panel system, Noise-Lock® acoustic doors, TrackWall™, a moveable partition system and VisionWall™, a range of large-sized acoustic exterior windows.



USA - North Aurora, IL

T: +1 (630) 270 1790

F: +1 (630) 966 9710

E: iacacoustics@soundseal.com



www.iacacoustics.com